



RANGE

Light efficiency up to 139 Lm/W. Color temperatures: amber – 2200K – 2700K – 3000K – 4000K.

Lifespan L90 @ $t_q=25^{\circ}\text{C} \geq 100,000\text{h}$.

Less than 50% of LEDs have an outgoing flux lower than 90% of the initial flux at 100,000 hours (0.4% reduction in flux per year over 25 years of operation).

Thermal management of the luminaire LED module and power supply to Zhaga standard.

STANDARD OPTICS

Lighting type for narrow path (ASYM 1)

Lighting type for narrow street (ASYM 2, ASYM 2+, or ASYM 2-1)

Lighting type for roads (ASYM N3 or ASYM3+)

Lighting type for avenues (ASYM 3-1 or ASYM 4+)

Lighting type for parking lots (ASYM 4)

Lighting type for pedestrian crossing

Other distributions available upon request.

MATERIALS – SURFACE TREATMENT

Body: die-cast aluminum.

Bowl: UV-resistant polycarbonate.

Choice of RAL colours.

Baked polyester powder coating.

Optional treatment specifically for seaside.

MOUNTING – CABLING

Reversible top/side fixation;

Top mounting on column $\varnothing 60\text{--}62\text{mm}$ with 0° , 5° and 10° tilt or side mounting on tubular bracket $\varnothing 60\text{--}62\text{mm}$ 90 mm length with 0° , -5° et -10° negative tilt relatively to the bracket.

Adapter sleeves for $\varnothing 42$ and $\varnothing 49$ bracket arms in option.

Pre-cabled luminaire (length of flexible cable $2 \times 1.5\text{mm}^2$ depends on installation; 10m by default).

INSTALLATION – MAINTENANCE

Captive screws' opening.

Good reparability: replaceable driver and LED module.

Specific treatment of external screws useful for disassembly.

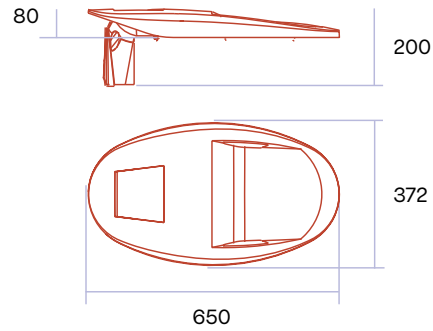
RESISTANCE TO OVERVOLTAGE

Category IV luminaire, holding to a shock wave of 6kV between phase-neutral and earth.

Surge protection device (SPD) 10kV-5kA between phase-neutral and earth to be provided at the base of the pole.

On the remote DALI/D4I bus, to be provided.

DIMENSIONS

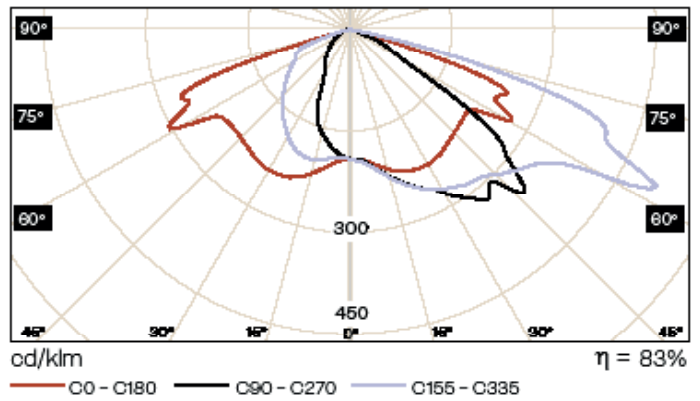


Adjustable luminaire tilt in top and side mounting.

WEIGHT/SURFACE SCX: 10 kg/0,04 m²

POLAR CURVES

Lighting type for roads (ASYM N3) as standard.



OPTIONS

For a communicating system, dual pre-cabling dedicated to communication is necessary (flexible cable $4 \times 1,5\text{mm}^2$).

Lampshield for rear flow management.

Connection base for Zhaga antenna (top, bottom, top/bottom).

Dynamic variation of light (Tunable White): cool white to warm white or amber.

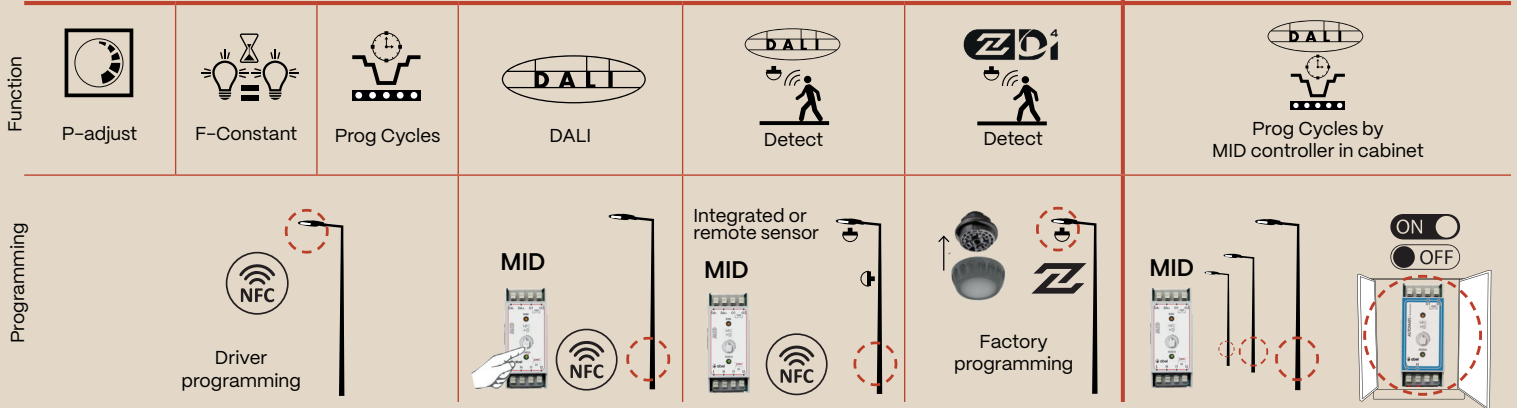


6000R-VP

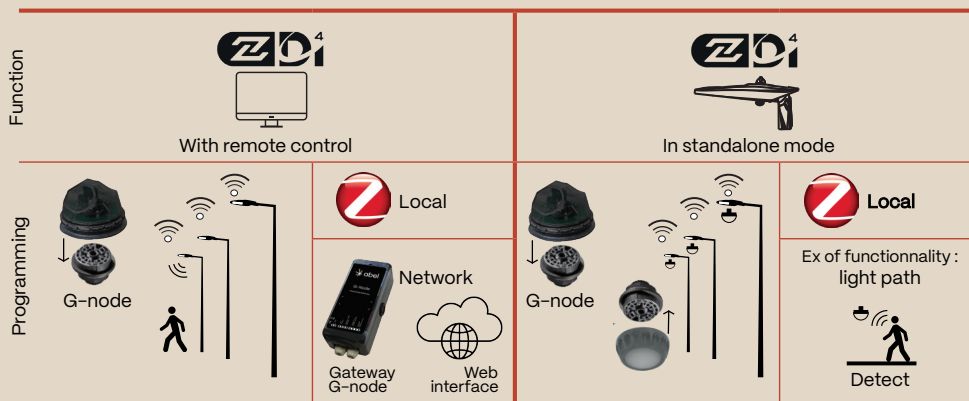


Programming the unit luminaire

Programming a group of luminaires



Communication of a group by radio



The VAR (Variation of power depending on the supply voltage) and Switch (Variation of power depending on the state of a dry contact) functions require the use of a MID because these functions disappear from the drivers.

The P-Adjust, F-Constant, Cycles, Detect functions can be associated with each other.

MID and G-node are ABEL solutions. To find out about the different functionalities, refer to the product documentation.

LIGHTING OPTIONS AND PROGRAMMING

Luminaire	Ref.	SMART LUM : Detect - P-Adjust - F-Constant - Prog Cycles - DALI - ZD4i							Tunable White	
		Detect	Sensor position	Prog Driver	DALI	ZD4i	Detect ZD4i	ZHAGA connector		NEMA connector
6000R-VP	19W 19W 19W	✓	Integrated or remote sensor	✓	✓	✓	✓	2 -> on top and under	1 on top of the luminaire	
	29W 29W 29W	✓	Integrated or remote sensor	✓	✓	✓	✓	2 -> on top and under	1 on top of the luminaire	
	38W 38W 38W	✓	Integrated or remote sensor	✓	✓	✓	✓	2 -> on top and under	1 on top of the luminaire	✓
	54W 54W 54W	✓	Integrated or remote sensor	✓	✓	✓	✓	2 -> on top and under	1 on top of the luminaire	✓
	35W 35W 35W	✓	Integrated or remote sensor	✓	✓	✓	✓	2 -> on top and under	1 on top of the luminaire	
	72W 72W 72W	✓	Integrated or remote sensor	✓	✓	✓	✓	2 -> on top and under	1 on top of the luminaire	
	51W 51W 51W	✓	Integrated or remote sensor	✓	✓	✓	✓	2 -> on top and under	1 on top of the luminaire	
	107W 107W 107W	✓	Integrated or remote sensor	✓	✓	✓	✓	2 -> on top and under	1 on top of the luminaire	

LED RANGE SYNOPTIC TABLE

Luminaire	Ref.	LUMINAIRE										LED										Number rule 1 disj 16A curve B	OPTICS				
		Power consumption (W)	P Driver (W)	Flux (lm)/maximum Light efficiency (lm/W)/ Energy certificate								LED current	Guaranteed flux (typical) (lm)/Luminous efficiency (lm/W)max /LED power (W)/IEE								Number		ASYM 1	ASYM2, 2+ or 2-1	ASYM N3, 3+, 4+ ou 3-1	ASYM4	Reversed Road-Sidewalk
				4000K IRC70	4000K IRC80	3000K IRC70	3000K IRC80	2700K IRC70	2700K IRC80	2200K IRC70	Amber		4000K IRC70	4000K IRC80	3000K IRC70	3000K IRC80	2700K IRC70	2700K IRC80	2200K IRC70	Amber							
6000R-VP	19W	18,3	2,9	2372	2135	2233	2063	2093	1845	1814	1516	350	2858	2572	2690	2486	2522	2223	2186	1826	16 LED	11	✓	✓	✓	✓	✓
	19W	18,3		130	117	122	113	114	101	99	83	350	186	167	175	161	164	144	142	119	16 LED						
	19W	18,3		CEE N°1	CEE N°1	CEE N°1	CEE N°1	CEE N°1	CEE N°1	CEE N°1	CEE N°2	350	15,4	15,4	15,4	15,4	15,4	15,4	15,4	15,4	16 LED						
	29W	27,3	3,7	3447	3100	3244	2997	3041	2679	2636	2201	330	4153	3735	3909	3611	3664	3228	3176	2652	16 LED	11	✓	✓	✓	✓	✓
	29W	27,3		126	114	119	110	111	98	97	81	330	176	158	166	153	155	137	135	112	16 LED						
	29W	27,3		CEE N°1	CEE N°1	CEE N°1	CEE N°1	CEE N°1	CEE N°1	CEE N°1	CEE N°2	330	23,6	23,6	23,6	23,6	23,6	23,6	23,6	23,6	16 LED						
	29W	27,3		CEE N°1	CEE N°1	CEE N°1	CEE N°1	CEE N°1	CEE N°1	CEE N°1	CEE N°2	330	23,6	23,6	23,6	23,6	23,6	23,6	23,6	23,6	16 LED						
	38W	35,5	3,8	4421	3963	4160	3831	3900	3420	3381	2796	700	5326	4775	5012	4616	4699	4120	4073	3369	16 LED	11	✓	✓	✓	✓	✓
	38W	35,5		125	112	117	108	110	96	95	79	700	168	151	158	146	148	130	128	106	16 LED						
	38W	35,5		CEE N°1	CEE N°1	CEE N°1	CEE N°1	CEE N°1	CEE N°1	CEE N°1	CEE N°2	700	31,7	31,7	31,7	31,7	31,7	31,7	31,7	31,7	16 LED						
	38W	35,5		CEE N°1	CEE N°1	CEE N°1	CEE N°1	CEE N°1	CEE N°1	CEE N°1	CEE N°2	700	31,7	31,7	31,7	31,7	31,7	31,7	31,7	31,7	16 LED						
	54W	51,2	4,7	6040	5373	5684	5193	5329	4638	4619	3766	1000	7277	6473	6848	6257	6420	5588	5565	4537	16 LED	11	✓	✓	✓	✓	✓
54W	51,2		118	105	111	101	104	91	90	74	1000	156	139	147	135	138	120	120	98	16 LED							
54W	51,2		CEE N°1	CEE N°1	CEE N°1	CEE N°1	CEE N°1	CEE N°1	CEE N°1	CEE N°2	1000	46,5	46,5	46,5	46,5	46,5	46,5	46,5	46,5	16 LED							
54W	51,2		CEE N°1	CEE N°1	CEE N°1	CEE N°1	CEE N°1	CEE N°1	CEE N°1	CEE N°2	1000	46,5	46,5	46,5	46,5	46,5	46,5	46,5	46,5	16 LED							
35W	34,6	3,8	4744	4270	4465	4127	4187	3690	3629	3031	350	5716	5144	5380	4972	5044	4446	4372	3652	32 LED	11	✓	✓	✓	✓	✓	
35W	34,6		137	123	129	119	121	107	105	88	350	186	167	175	161	164	144	142	119	32 LED							
35W	34,6		CEE N°1	CEE N°1	CEE N°1	CEE N°1	CEE N°1	CEE N°1	CEE N°1	CEE N°2	350	30,8	30,8	30,8	30,8	30,8	30,8	30,8	30,8	32 LED							
35W	34,6		CEE N°1	CEE N°1	CEE N°1	CEE N°1	CEE N°1	CEE N°1	CEE N°1	CEE N°2	350	30,8	30,8	30,8	30,8	30,8	30,8	30,8	30,8	32 LED							
72W	68,7	5,3	8841	7927	8320	7663	7800	6839	6761	5593	700	10652	9550	10024	9232	9398	8240	8146	6738	32 LED	11	✓	✓	✓	✓	✓	
72W	68,7		129	115	121	112	114	100	98	81	700	168	151	158	146	148	130	128	106	32 LED							
72W	68,7		CEE N°1	CEE N°1	CEE N°1	CEE N°1	CEE N°1	CEE N°1	CEE N°1	CEE N°2	700	63,4	63,4	63,4	63,4	63,4	63,4	63,4	63,4	32 LED							
72W	68,7		CEE N°1	CEE N°1	CEE N°1	CEE N°1	CEE N°1	CEE N°1	CEE N°1	CEE N°2	700	63,4	63,4	63,4	63,4	63,4	63,4	63,4	63,4	32 LED							
51W	51,2	5	7116	6404	6698	6190	6280	5535	5443	4547	350	8574	7716	8070	7458	7566	6669	6558	5478	48 LED	8	✓	✓	✓	✓	✓	
51W	51,2		139	125	131	121	123	108	106	89	350	186	167	175	161	164	144	142	119	48 LED							
51W	51,2		CEE N°1	CEE N°1	CEE N°1	CEE N°1	CEE N°1	CEE N°1	CEE N°1	CEE N°2	350	46,2	46,2	46,2	46,2	46,2	46,2	46,2	46,2	48 LED							
51W	51,2		CEE N°1	CEE N°1	CEE N°1	CEE N°1	CEE N°1	CEE N°1	CEE N°1	CEE N°2	350	46,2	46,2	46,2	46,2	46,2	46,2	46,2	46,2	48 LED							
107W	102,8	7,7	13262	11890	12480	11494	11701	10259	10142	8389	700	15978	14325	15036	13848	14097	12360	12219	10107	48 LED	8	✓	✓	✓	✓	✓	
107W	102,8		129	116	121	112	114	100	99	82	700	168	151	158	146	148	130	128	106	48 LED							
107W	102,8		CEE N°1	CEE N°1	CEE N°1	CEE N°1	CEE N°1	CEE N°1	CEE N°1	CEE N°2	700	95,1	95,1	95,1	95,1	95,1	95,1	95,1	95,1	48 LED							
107W	102,8		CEE N°1	CEE N°1	CEE N°1	CEE N°1	CEE N°1	CEE N°1	CEE N°1	CEE N°2	700	95,1	95,1	95,1	95,1	95,1	95,1	95,1	95,1	48 LED							